

Features

- 4020 with integrated high quality constant current IC and RGB LED chip.
- Built-in IC, with high precision of constant current and internal RGB chips spectral processing in advance.
- Single line data transmission (return to zero code).
- Specific Shaping Transmit Technology - number of LED stacked is not restricted.
- Cascading Enhancement Technology - any 2 LED spacing can be up to 10 meters.
- Data transfer rate of 800 kbp/s at 30 frames per second.
- RGB output port PWM control can achieve 256 grey level adjustments.
- Upon powering up, IC performs self-inspection then lights connection on the pin B lamp.
- SA-I Anti-interference patent technology for single line data transmission.
- Built-in power supply reverse connects protection module, reversed power input will not damage the IC.

Description

The IN-PI42TAS(X)R(X)G(X)B is 4.0*2.0*1.5mm RGB LED with integrated IC. It is a SMD type LED which can be used in various applications.

Applications

- Full color LED string light
- LED full color module
- LED guardrail tube
- LED scene lighting
- LED point light
- LED pixel screen
- LED shaped screen

Package Outline Dimensions & Pin Configuration

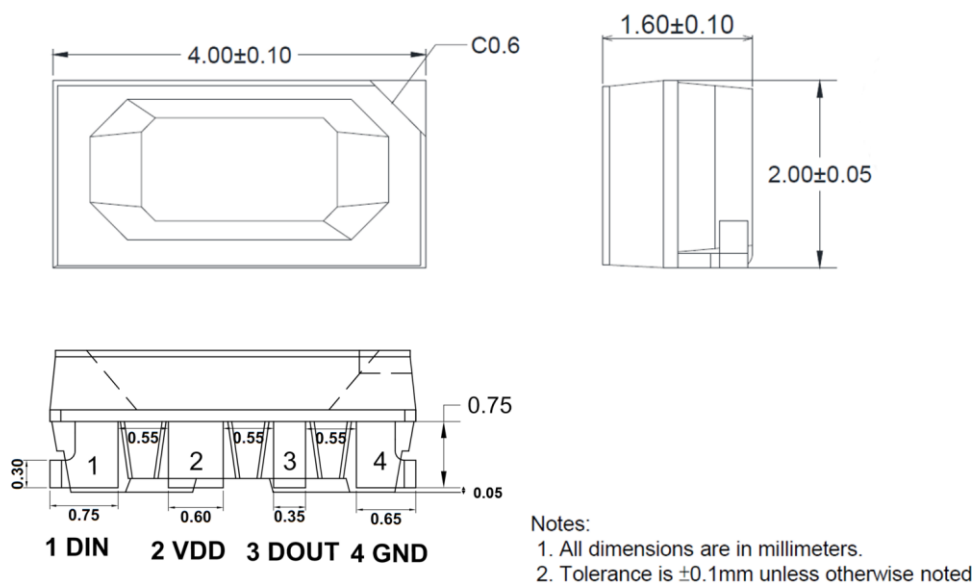
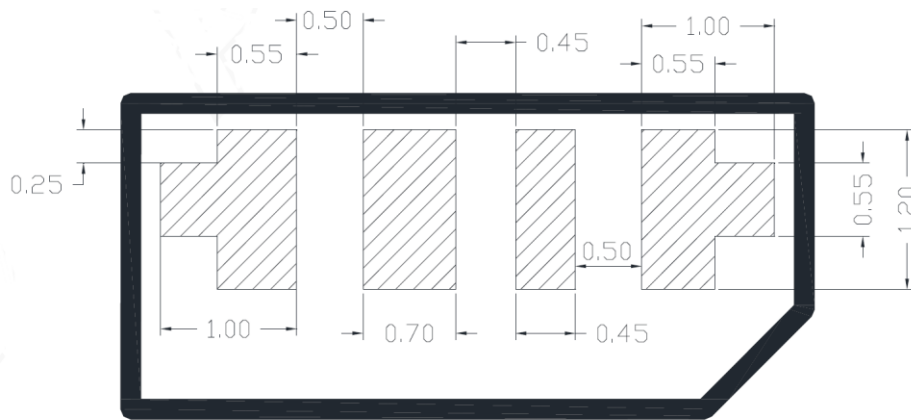


Figure 1. IN-PI42TAS(X)R(X)G(X)B Package Outline Dimensions

Pin Configuration

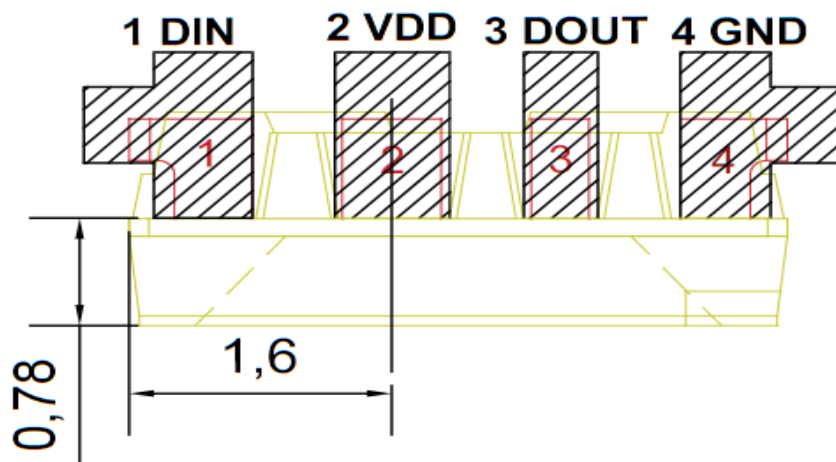
Number	Symbol	Function Description
1	DIN	Control data signal input
2	VDD	Power supply LED
3	DOUT	Control data signal output
4	GND	Ground

Recommended Soldering Pad Size



1 DIN 2 VDD 3 DOUT 4 GND

Soldering Pad Mapping



Absolute Maximum Rating ($T_a = 25\text{ }^\circ\text{C}$, $V_{SS}=0\text{V}$)

Parameter	Symbol	Range	Unit
Logic supply voltage	V_{DD}	+3.7~+5.5	V
Logic input voltage	V_{IN}	-0.5 ~VDD+0.5	V
Operating temperature	T_{OPT}	-40~ +85	$^\circ\text{C}$
Storage temperature	T_{STG}	-40~ +85	$^\circ\text{C}$
ESD pressure (HBM)	V_{ESD}	2K	V
ESD pressure (DM)	V_{ESD}	200	V

LED Characteristics ($T_a = 25\text{ }^\circ\text{C}$)

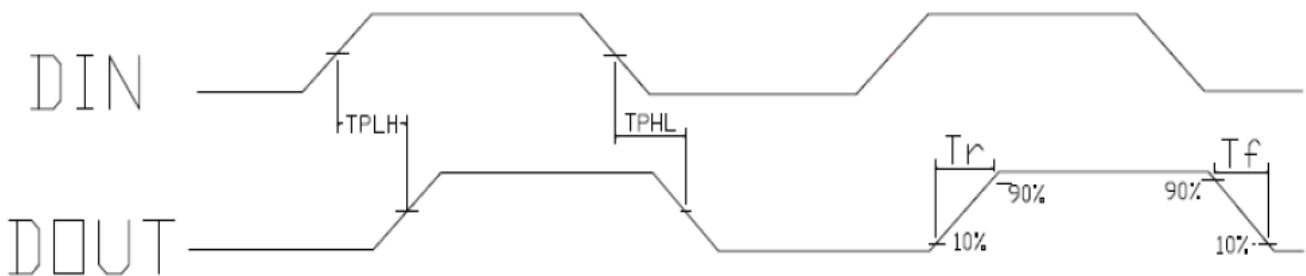
Color	IN-PI42TAS5R5G5B (5mA)		IN-PI42TASPRPGPB (12mA)	
	Wavelength(nm)	Light Intensity(mcd)	Wavelength(nm)	Light Intensity(mcd)
Red	620-630	50-150	620-630	300-500
Green	520-535	200-400	515-530	700-1500
Blue	460-475	50-100	460-475	200-300

Recommended Operating Ranges (unless otherwise specified, $T_a = -20 \sim +70 \text{ }^\circ\text{C}$, $V_{DD} = 4.5 \sim 5.5\text{V}$, $V_{SS} = 0\text{V}$)

Parameter	Symbol	Min.	Typ.	Max	Unit	Test conditions
Supply voltage	V_{DD}	-	5.2	-	V	-
High level input voltage	V_{IH}	2.6	-	-	V	$V_{DD} = 5.0\text{V}$
Low level input voltage	V_{IL}	-	-	1.7	V	$V_{DD} = 5.0\text{V}$
The frequency of PWM	F_{PWM}	-	1.2	-	KHZ	-
Static power consumption	I_{DD}	-	1	-	mA	-

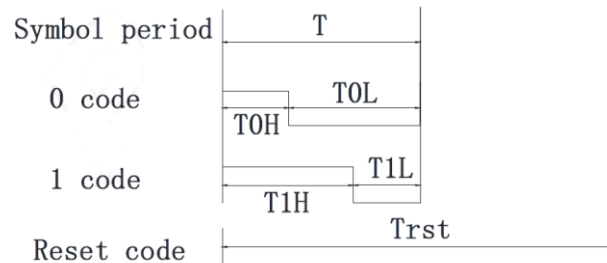
Switching Characteristics (unless otherwise specified, $T_a = 25 \text{ }^\circ\text{C}$)

Parameter	Symbol	Min.	Typ.	Max	Unit	Test conditions
The speed of data transmission	F_{DIN}	-	800	-	KHZ	The duty ratio of 67% (data 1)
DOUT transmission delay	T_{PLH}	-	67	-	ns	DIN → DOUT
	T_{PHL}	-	82	-	ns	
Out R/B conversion time	T_r	-	22	-	ns	IOUT R / B = 5mA/13mA, out R / B port connected with 200 Ω resistor to VDD in series, load capacitance to ground
	T_f	-	75	-	-	
Out R/B conversion time	T_r	-	18	-	ns	IOUT G = 5mA/13mA, out G port is connected with 200 Ω resistor to VDD in series, and the load capacitance to ground is 30pf
	T_f	-	110	-	-	



Timing Waveforms

1. Input Code



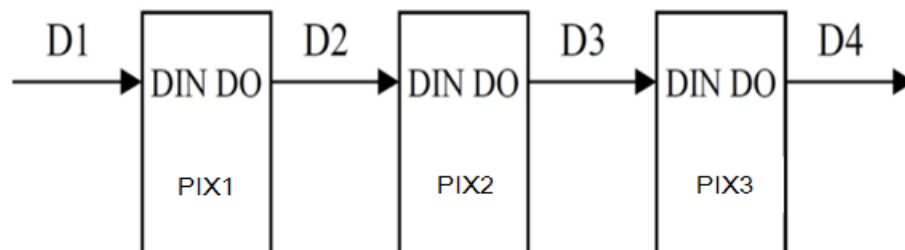
2. The data transmission time:

Name	Description	Min.	Typ. value	Max.	Unit
T	Period	1.2	-	-	μs
T _{0H}	0 code, high level time	0.2	0.3	0.4	μs
T _{0L}	0 code, low level time	0.8	-	-	μs
T _{1H}	1 code, high level time	0.65	0.75	1.0	μs
T _{1L}	1 code, low level time	0.2	-	-	μs
Trst	Reset code, low level time	>200	-	-	μs

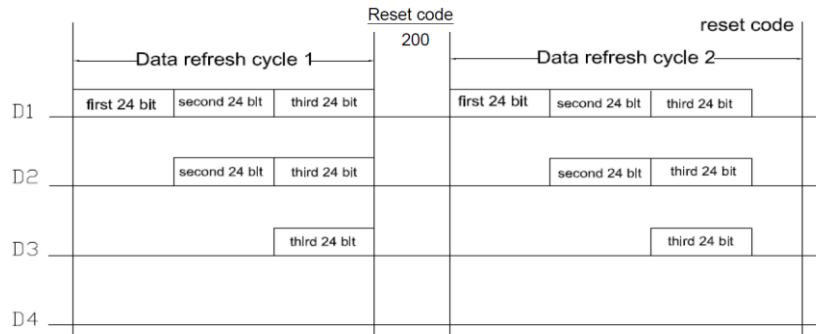
Note:

1. The protocol uses a unipolar zeroing code. Each symbol must have a low level. Each symbol in this protocol starts with a high level. The high time width determines the "0" or "1" code.
2. When writing programs, the minimum symbol period is 1.2μs.
3. The high time of "0" code and "1" code should be in accordance with the stipulated range in the above table. The low time requirement of "0" code and "1" code is less than 20μs.

3. Connection Scheme



4. Data Transfer Format (Ta=25°C)



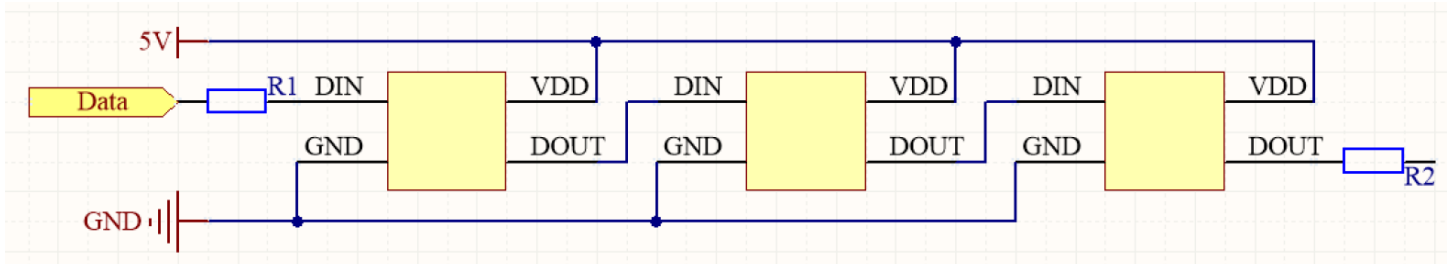
Note: the D1 sends data for MCU, D2, D3, D4 for data forwarding automatic shaping cascade circuit.

5. 24-bit data format



Note: high starting, in order to send data (G7 - G6 -B0)

Typical Application Circuit

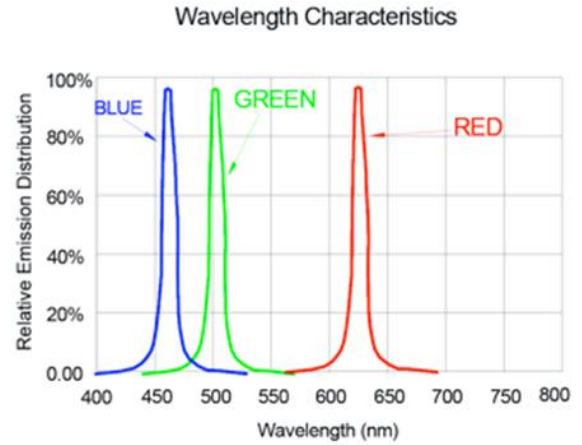
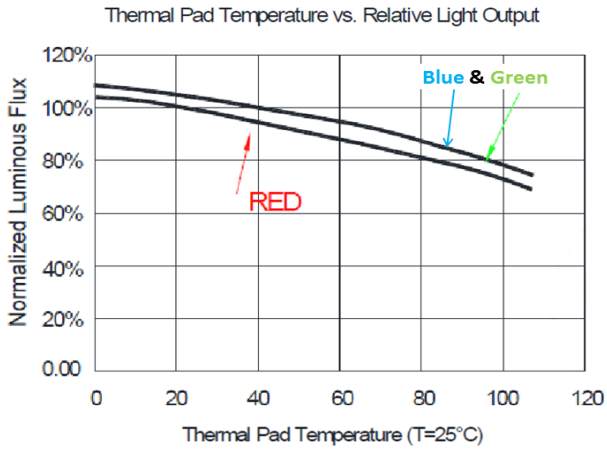


In the practical application circuit, the signal input and output pins of the IC signal input and output pins should be connected to the signal input and output terminals. In addition, to make the IC chip is more stable, even the capacitance between beads is essential back.

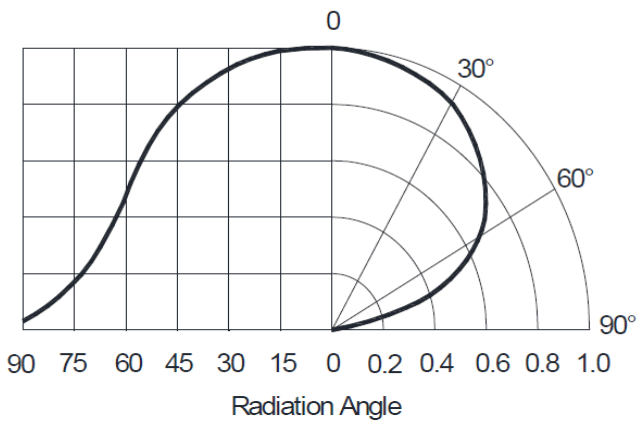
Application I: used for soft lamp strip or hard light, lamp beads transmission distance is short, suggested in signal in time the clock line input and output end of each connected in series protection resistors, R1=R2 of about 500 ohms.

Application II: for module or general special-shaped products, lamp beads transmission distance is long, because of different wire and transmission distance, in the signal in time clock at both ends of the line on grounding protection resistance will be slightly different; to the actual use of fixed;

LED Performance Graph



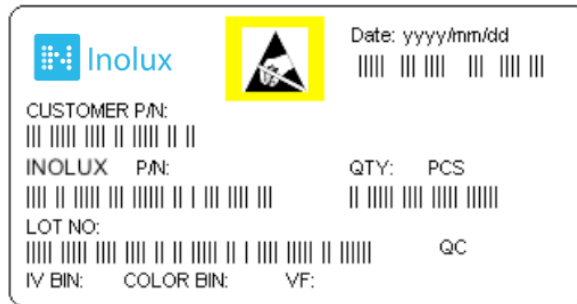
Typical Radiation Pattern 120°



Ordering Information

Product	Emission Color	IV(mcd)	Orderable Part Number
IN-PI42TAS5R5G5B	R	50-150	IN-PI42TAS5R5G5B
	G	200-400	
	B	50-100	
IN-PI42TASPRGPB	R	300-500	IN-PI42TASPRGPB
	G	700-1500	
	B	200-300	

Label Specifications



Inolux P/N:

I	N	PI	-	42	T	A	S	(X)	R	(X)	G	(X)	B	-	X	X	X	X
Product		Package	Die Qty.	Variation	Orientation	Current	Color	Current	Color	Current	Color	Customized Stamp-off						
Inolux	PI- Single trace IC PC- Clock Function IC	42TA= 40 x 20 x 1.5 mm		S = Side Mount	P=12mA 5 = 5mA	R = 624 nm	P=12mA 5 = 5mA	G = 520 nm	P=12mA 5 = 5mA	B = 470 nm								

Lot No.:

Z	2	0	1	7	01	24	001
Internal Tracker	Year (2017, 2018,)				Month	Date	Serial

Precautions

Please read the following notes before using the product:

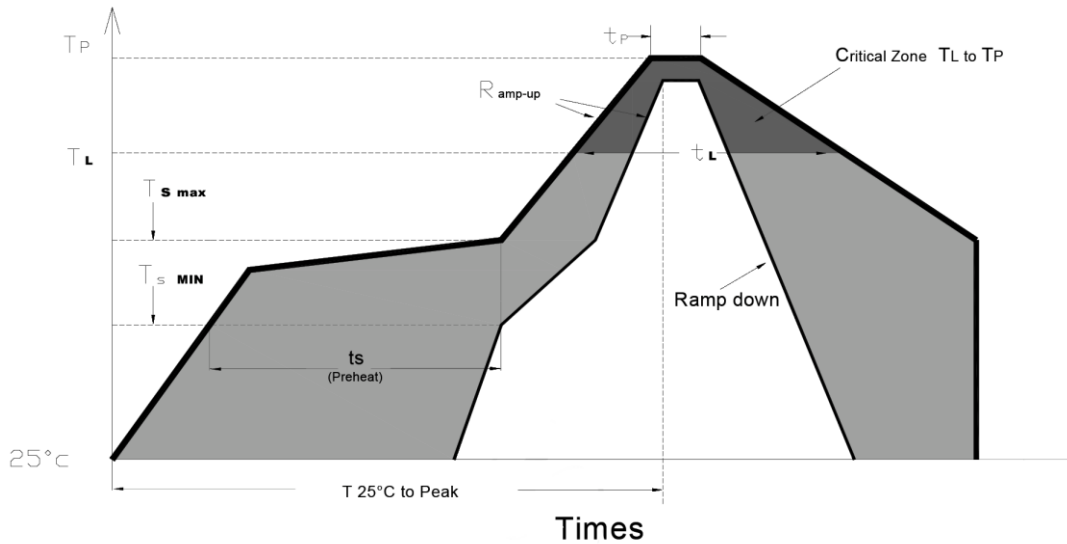
1. Storage

- 1.1 Do not open moisture proof bag before the products are ready to use.
- 1.2 Before opening the package, the LEDs should be kept at 30°C or less and 80%RH or less.
- 1.3 The LEDs should be used within a year.
- 1.4 After opening the package, the remaining LEDs should be kept in a resealed bag.
- 1.5 The LEDs require mandatory baking before usage. Baking treatment listed below.
- 1.6 If the moisture adsorbent material has fabled away or the LEDs have exceeded the storage time, baking treatment should be performed using the following conditions.

*Baking treatment: 60±5°C for 24 hours.

2. Soldering Condition

Recommended soldering conditions:



Profile Feature	Lead-Free Solder
Average Ramp-Up Rate ($T_{s \max}$ to T_p)	3°C/second max.
Preheat: Temperature Min ($T_{s \min}$)	150°C
Preheat: Temperature Min ($T_{s \max}$)	200°C
Preheat: Time ($t_{s \min}$ to $t_{s \max}$)	60-180 seconds
Time Maintained Above: Temperature (T_L)	217 °C
Time Maintained Above: Time (t_L)	60-150 seconds
Peak/Classification Temperature (T_p)	240 °C
Time Within 5°C of Actual Peak Temperature (t_p)	<10 seconds
Ramp-Down Rate	6°C/second max.
Time 25 °C to Peak Temperature	<6 minutes max.

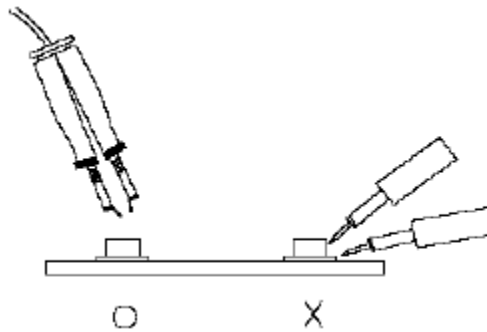
Note: Excessive soldering temperature and / or time might result in deformation of the LED lens or catastrophic failure of the LED.

3. Soldering Iron

Each terminal is to go to the tip of soldering iron temperature less than 260°C for 5 seconds within once in less than the soldering iron capacity 25W. Leave two seconds and more intervals, and do soldering of each terminal. Be careful because the damage of the product is often started at the time of the hand solder.

4. Repairing

Repair should not be done after the LEDs have been soldered. When repairing is unavoidable, a double-head soldering iron should be used (as below figure). It should be confirmed beforehand whether the characteristics of the LEDs will or will not be damaged by repairing.



5. Caution in ESD

Static Electricity and surge damages the LED. It is recommended to use a wristband or anti-electrostatic glove when handling the LED. All devices, equipment and machinery must be properly grounded.

Revision History

Changes since last revision	Page	Version No.	Revision Date
Initial Release		1.0	05-31-2018
Format Adjustment		1.1	07-01-2018
Revise precautions	11	1.2	07-31-2019
Revise Drawing of Dimension and Soldering Pad Size	1, 2	1.3	09-10-2020
Update the drawing and parameter	1-6	1.4	03-25-2021
Revise Drawing of Soldering Pattern	2	1.5	10-10-2021
Revise Drawing of Soldering Pattern	1, 2	1.6	12-07-2022
Update the parameter	5	1.7	04-20-2023

DISCLAIMER

INOLUX reserves the right to make changes without further notice to any products herein to improve reliability, function or design. INOLUX does not assume any liability arising out of the application or use of any product or circuit described herein; neither does it convey any license under its patent rights, nor the rights of others.

LIFE SUPPORT POLICY

INOLUX's products are not authorized for use as critical components in life support devices or systems without the express written approval of the President of INOLUX or INOLUX CORPORATION. As used herein:

1. Life support devices or systems are devices or systems which, (a) are intended for surgical implant into the body, or (b) support or sustain life, and (c) whose failure to perform when properly used in accordance with instructions for use provided in the labeling, can be reasonably expected to result in a significant injury of the user.
2. A critical component in any component of a life support device or system whose failure to perform can be reasonably expected to cause the failure of the life support device or system, or to affect its safety or effectiveness.