

Features

- 0603 with integrated LED driver IC.
- Single line data transmission (return to zero code).
- Specific Shaping Transmit Technology - number of LED stacked is not restricted.
- Data transfer frequency can reach 800kbps. When there's 1024 LEDs in a single string, the refresh rate can reach 30 frames per second.
- Capacitor between VDD and GND is not needed.
- Built-in power supply reverse connects protection module, reversed power input will not damage the IC.

Description

The IN-PIS63BTPG is 1.6*0.8*0.55mm Green color LED with integrated IC. It is a SMD type LED which can be used in various applications.

Applications

- LED color module
- LED guardrail tube
- LED scene lighting
- LED point light
- LED pixel screen
- LED shaped screen

Package Outline Dimensions & Pin Configuration

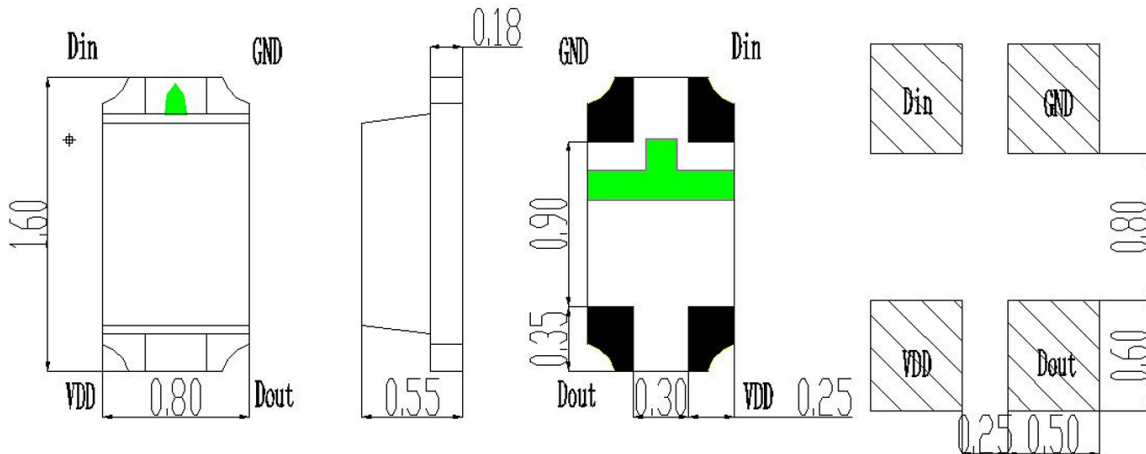


Figure 1. IN-PIS63BTPG Package Outline Dimensions

Note:

- All dimensions are in millimeters.
- Tolerance is $\pm 0.10\text{mm}$ unless otherwise note.

Pin Configuration

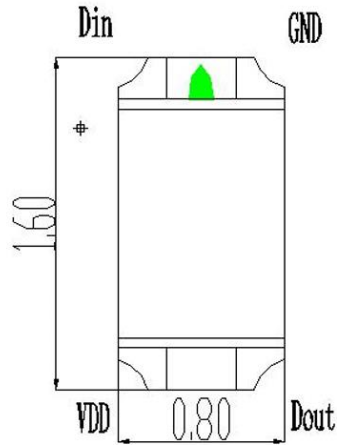


Figure 2. IN-PIS63BTPG Pin Configuration

Notes:

1. Dimension in millimeter, tolerance is ± 0.1 mm unless otherwise noted.

Symbol	Function Description
GND	Ground
DOUT	Control data signal output
DIN	Control data signal input
VDD	Power supply

Absolute Maximum Rating ($T_a = 25\text{ }^\circ\text{C}$)

Parameter	Symbol	Range	Unit
Power supply voltage	V_{DD}	3.0~+7.5	V
Logical input voltage	V_{IN}	-0.5 ~ 5.5	V
OUT voltage	BV_{OUT}	9	V
Operating temperature	T_{OPT}	-30 ~ +85	$^\circ\text{C}$
Storage temperature	T_{STG}	-40 ~ +90	$^\circ\text{C}$
Soldering Condition	T_{sol}	Reflow soldering: 260 $^\circ\text{C}$, 10s	
		Hand soldering: 300 $^\circ\text{C}$, 3s	

LED Characteristics ($T_a = 25\text{ }^\circ\text{C}$, @12mA)

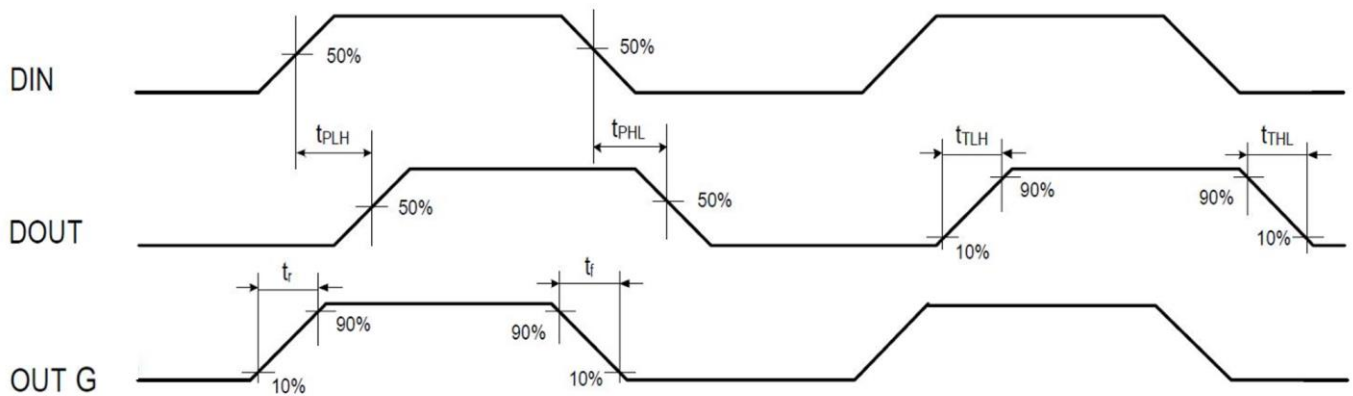
Parameter	Symbol	Color	Min.	Typ.	Max	Unit	Test Condition
Luminous Intensity	IV	Green	-	520	-	mcd	12mA
Dominant Wavelength	λ_d	Green	515	-	530	nm	12mA
Peak Wavelength	λ_p	Green	-	521	-	nm	12mA
Spectral Line Half-Width	$\Delta\lambda$	Green	-	31	-	nm	12mA
Viewing Angle	$2\theta_{1/2}$	-	-	120	-	deg	12mA

Recommended Operating Ranges (unless otherwise specified, $T_a = 25\text{ }^\circ\text{C}$)

Parameter	Symbol	Min.	Typ.	Max	Unit	Test conditions
Input voltage	V_{DD}	-	5.0	-	V	-
High level input voltage	V_{IH}	0.7*VDD	-		V	DIN High level
Low level input voltage	V_{IL}	-	-	0.3*VDD	V	DIN Low level
DOOUT sourcing current	I_{DO}		15		mA	VDD=5V , VDO=1V
DOOUT sink current	I_{DO}		30		mA	VDD=5V , VDO=1V
The frequency of PWM	F_{PWM}	-	4	-	KHZ	-
Static power consumption	I_{DD}	0.4	0.65	0.9	mA	lout" OFF"

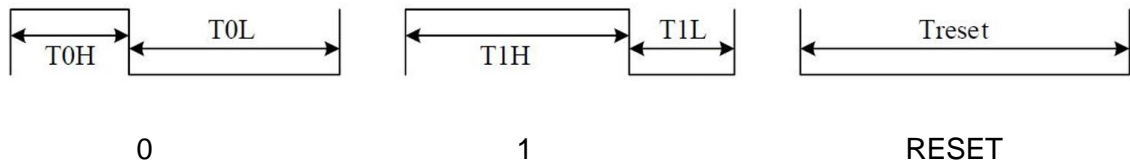
Switching Characteristics (unless otherwise specified, $T_a=25\text{ }^\circ\text{C}$, $V_{DD}=4.5\text{-}7.5\text{V}$)

Parameter	Symbol	Min.	Typ.	Max	Unit	Test conditions
DOUT transmission delay	t_{PZL}	-	-	200	ns	DIN → DOUT
The speed of data transmission	f_{DIN}	-	800	1100	KHZ	
I_{OUT} Rise/Drop Time	T_r	-	800	400	ns	V _{ds} =1.5V I _o = 12mA,
	T_f	-	-	400	ns	



Timing Waveforms

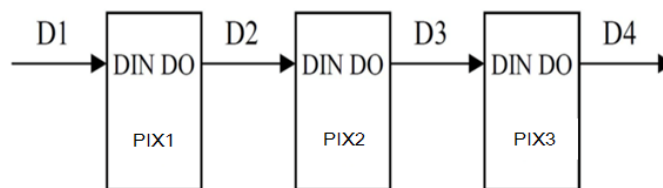
1. Input Code



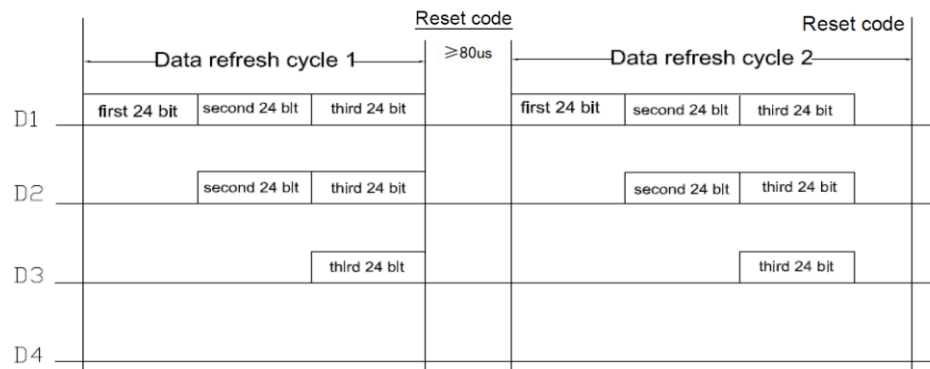
2. The data transmission time:

Name	Description	Min.	Typ.	Max.	Unit
T0H	0 code, high level time	-	0.3 μ s	-	μ s
T0L	0 code, low level time	-	0.6 μ s	-	μ s
T1H	1 code, high level time	-	0.6 μ s	-	μ s
T1L	1 code, low level time	-	0.3 μ s	-	μ s
Trst	Reset code, low level time	80	-	-	μ s

3. Connection Scheme

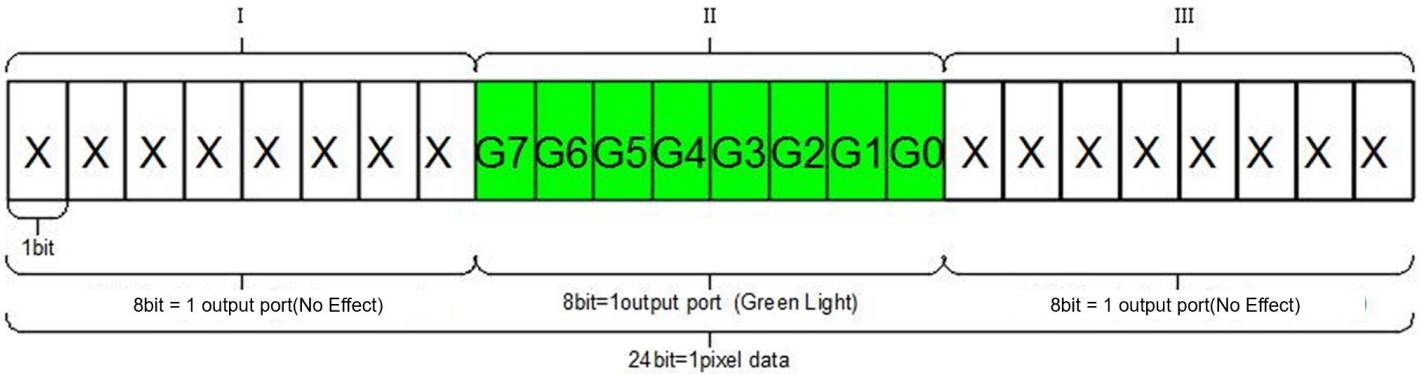


4. Data Transfer Format



Note: The data of D1 is send by MCU, and D2, D3, through IC internal reshaping amplification to transmit.

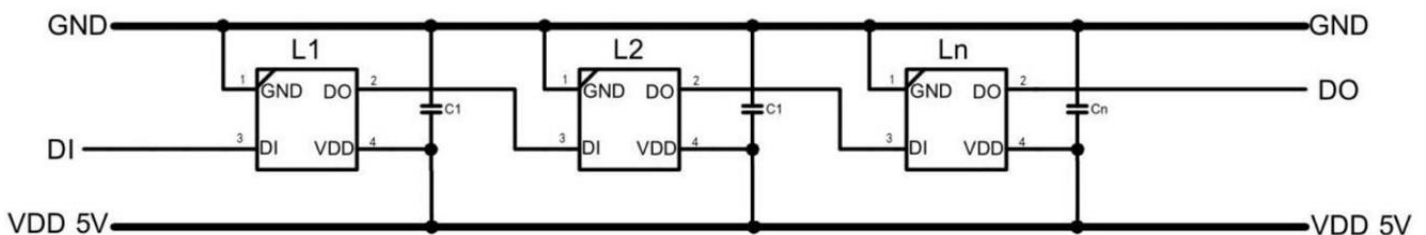
5. 8bit grayscale data structure: high-order bit first, send data in the order of G



The driver IC used in the LED utilizes single-wire communication protocol and uses return-to-zero (RZ) method to send signals. After the driver IC is powered on and resets, it receives data from the DIN terminal. After receiving enough data (24 bits), the DOUT port begins to forward next 24bits data to provide input data for the next LED. Before forwarding signal to the next LED, the DOUT port is always pulled at low level. At this time, the driver IC chip will retain the 24bits data received and will not receive new input data; once DIN receives “RESET signal”, the corresponding internal port for the green LED die will send out internal signals based on the received 8bit of 24bit data (middle 8 bit) to the green LED die - and the LED turns On. The LED internal signal PWM frequency is set at 4KHz and the data transmission speed is set at 800kHz.

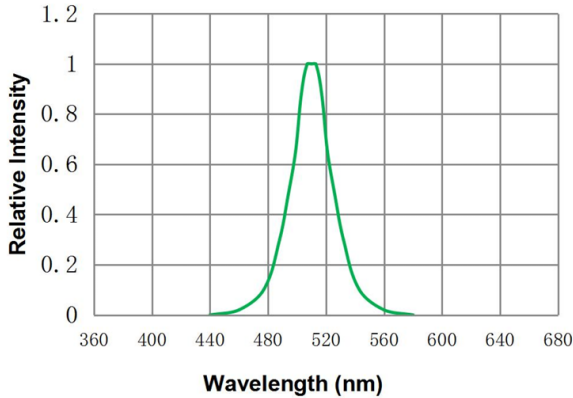
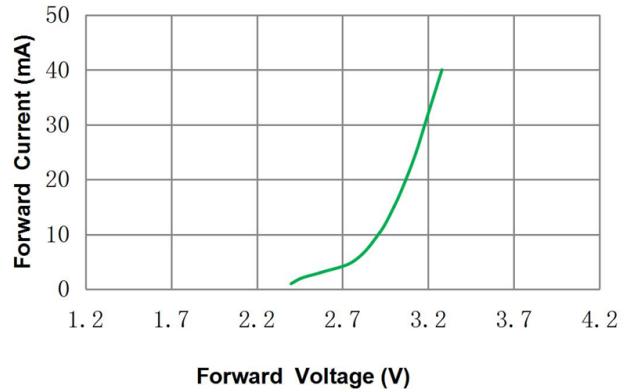
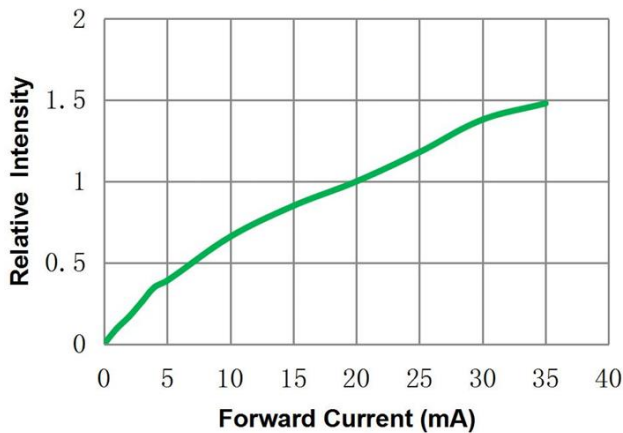
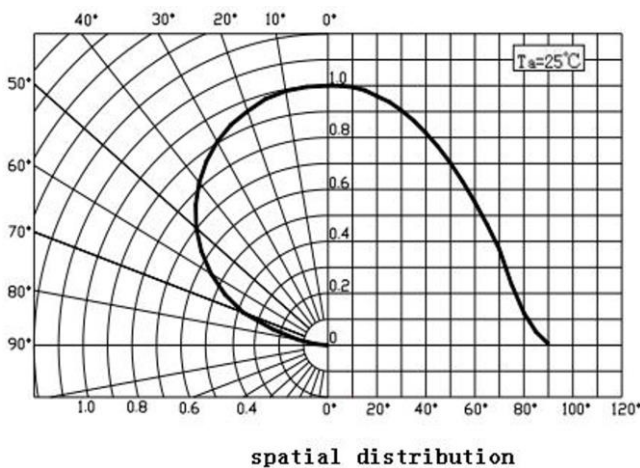
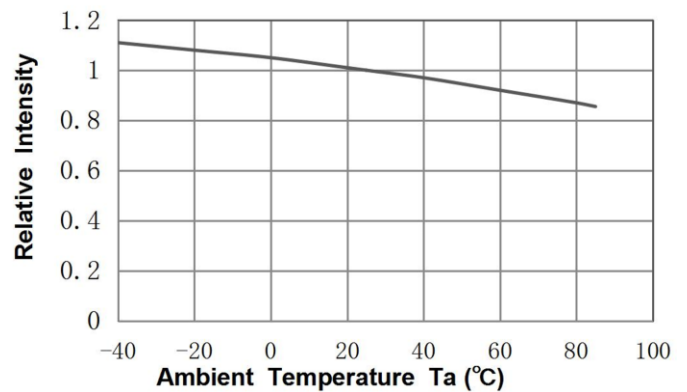
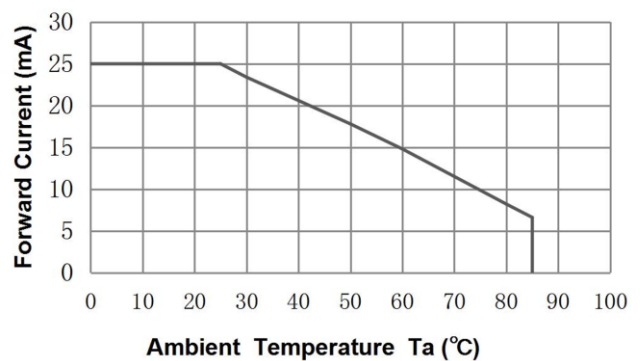
*Only when DIN receives input signal of “RESET signal”, the driver IC will begin to display the data received (LED On). The LED will then begin to receive new data-stream after the previous data-stream ends. After receiving the next first 24bit data, it will forward the next set of data through the DOUT port. The LED will maintain the original display output before receiving the “Reset Signal”. Only after receiving the low-level RESET code of $\geq 80\mu s$ low, the driver IC will send the updated internal signal of the 8 bit of 24bit data (middle 8 bit) to the green LED for updated LED on.

Typical Application Circuit



Note: C1 is the optional filter capacitor of LED VDD pin, the general value is 100nf.

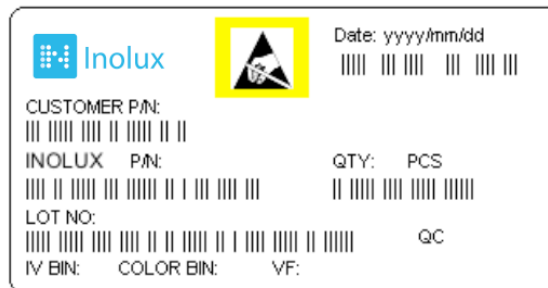
LED Performance Graph

Spectrum Distribution (Ta=25°C)

Forward Current VS. Forward Voltage (Ta=25°C)

Relative Intensity VS. Forward Current (Ta=25°C)

Relative Intensity VS. Ambient Temperature (Ta=25°C)

Maximum Forward Current VS. Ambient temperature


Ordering Information

Product	Emission Color	IV(mcd)	Orderable Part Number
IN-PIS63BTPG	Green	520	IN-PIS63BTPG

Label Specifications

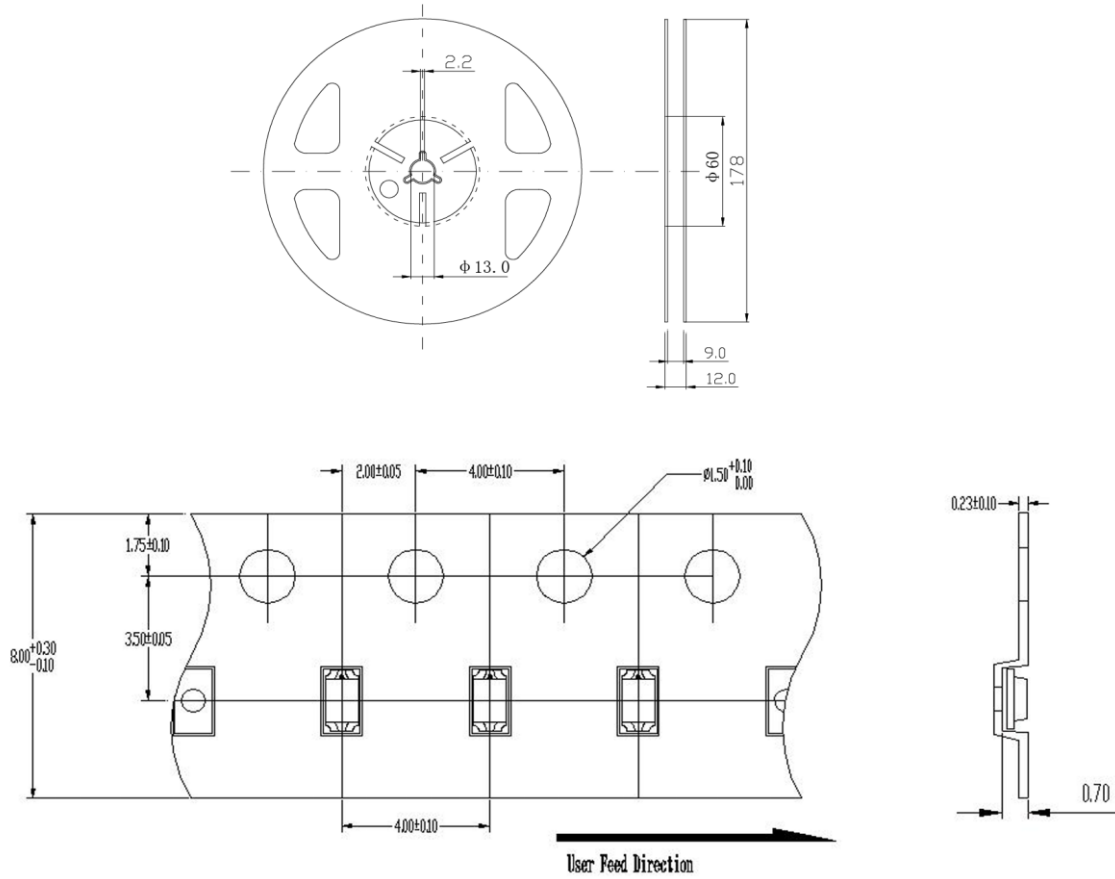


Inolux P/N:

I	N	-	PIS	63	B	T	P	G	-	X	X	X	X
		-	Product	Package	Variation	Orientation	Current	Color					Customized Stamp-off
Inolux		-	PI- Single trace IC S: PCB type	63B = 1.6 x 0.8 x 0.55 mm (4 pins)		T = Top Mount	P=12mA	G = 525 nm					

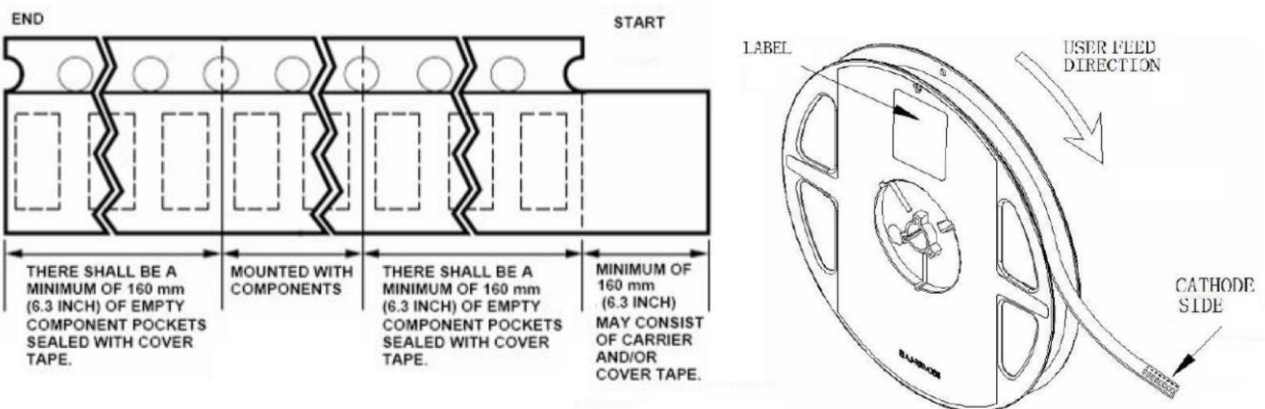
Lot No.:

Z	2	0	1	7	01	24	001
Internal Tracker	Year (2017, 2018,)				Month	Date	Serial

Packaging


1. All dimensions are in millimeters.
2. Tolerance is ± 0.1 mm unless otherwise noted.

- 4kpcs/reel



Precautions

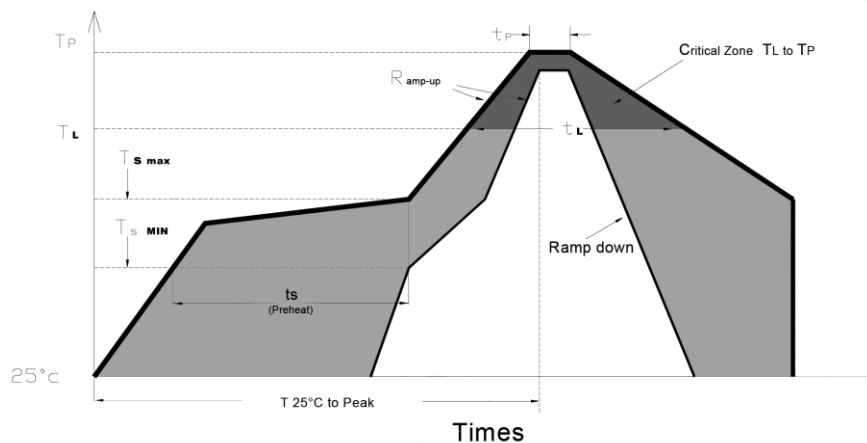
Please read the following notes before using the product:

1. Storage

- 1.1 Do not open moisture proof bag before the products are ready to use.
- 1.2 Before opening the package, the LEDs should be kept at 30°C or less and 80%RH or less.
- 1.3 The LEDs should be used within a year.
- 1.4 After opening the package, the LEDs should be kept at 30°C or less and 60%RH or less.
- 1.5 The LEDs should be used within 24 hours (1 days) after opening the package.
- 1.6 If the moisture adsorbent material has fabled away or the LEDs have exceeded the storage time, baking treatment should be performed using the following conditions. Baking treatment: 60±5°C for 24 hours.

2. Soldering Condition

Recommended soldering conditions:



Profile Feature	Lead-Free Solder
Average Ramp-Up Rate ($T_{s \max}$ to T_p)	3°C/second max.
Preheat: Temperature Min ($T_{s \min}$)	150°C
Preheat: Temperature Min ($T_{s \max}$)	200°C
Preheat: Time ($t_{s \min}$ to $t_{s \max}$)	60-180 seconds
Time Maintained Above: Temperature (T_L)	217 °C
Time Maintained Above: Time (t_L)	60-150 seconds
Peak/Classification Temperature (T_p)	240 °C
Time Within 5°C of Actual Peak Temperature (t_p)	<10 seconds
Ramp-Down Rate	6°C/second max.
Time 25 °C to Peak Temperature	<6 minutes max.

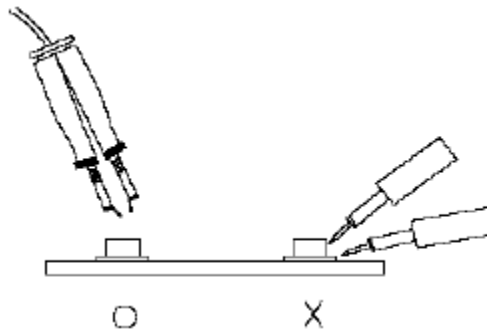
Note: Excessive soldering temperature and / or time might result in deformation of the LED lens or catastrophic failure of the LED.

3. Soldering Iron

Each terminal is to go to the tip of soldering iron temperature less than 260°C for 5 seconds within once in less than the soldering iron capacity 25W. Leave two seconds and more intervals and do soldering of each terminal. Be careful because the damage of the product is often started at the time of the hand solder.

4. Repairing

Repair should not be done after the LEDs have been soldered. When repairing is unavoidable, a double-head soldering iron should be used (as below figure). It should be confirmed beforehand whether the characteristics of the LEDs will or will not be damaged by repairing.



5. Caution in ESD

Static Electricity and surge damages the LED. It is recommended to use a wristband or anti-electrostatic glove when handling the LED. All devices, equipment and machinery must be properly grounded.

Revision History

Changes since last revision	Page	Version No.	Revision Date
Initial Release		1.0	03-15-2024
Revise the drawing	7	1.1	05-06-2024

DISCLAIMER

INOLUX reserves the right to make changes without further notice to any products herein to improve reliability, function or design. INOLUX does not assume any liability arising out of the application or use of any product or circuit described herein; neither does it convey any license under its patent rights, nor the rights of others.

LIFE SUPPORT POLICY

INOLUX's products are not authorized for use as critical components in life support devices or systems without the express written approval of the President of INOLUX or INOLUX CORPORATION. As used herein:

1. Life support devices or systems are devices or systems which, (a) are intended for surgical implant into the body, or (b) support or sustain life, and (c) whose failure to perform when properly used in accordance with instructions for use provided in the labeling, can be reasonably expected to result in a significant injury of the user.
2. A critical component in any component of a life support device or system whose failure to perform can be reasonably expected to cause the failure of the life support device or system, or to affect its safety or effectiveness.